

CPT-8061

Bluetooth Wireless Terminal

Wireless
Freedom
Wireless
Freedom
Freedom



Pocket Size



Rechargeable Lithium-ion Battery Pack



Charging & Communication Cradle



- Programmable in : Basic, C & Application Generator
- 1MB program memory + 1MB data memory
- Ideal for Retail Applications

CPT-8061 Bluetooth Wireless Terminal

Specifications

Terminal Bluetooth Class 1

- Frequency: 2.402~2.4835 Ghz
- Modulation: GFSK, 1Mbps, 0.5BT Gaussian
- Profile: BNEP, SPP
- Data Rate: 433 Kbps
- Channels: Standard
- Power: 100mW MAX
- Coverage: 250M line-of-sight
- Standard: Bluetooth Spec. V1.1

Access Point (3560) Bluetooth Class 1

- Frequency: 2.402~2.4835 Ghz
- Output Power: 100mW
- Profile: BNEP
- Ethernet Connection: 10/100 Base-T Auto-switch
- Protocol: TCP/IP, UDP/IP, ARP/RARP, DHCP for IPv4
- Piconet Support: up to 7 Terminals

Power

- Operation battery: Li-ion 3.7V, 700mAh
- Backup battery: 3.0V, 7.0mAh, rechargeable Lithium
- Working hours: Over 100 hours

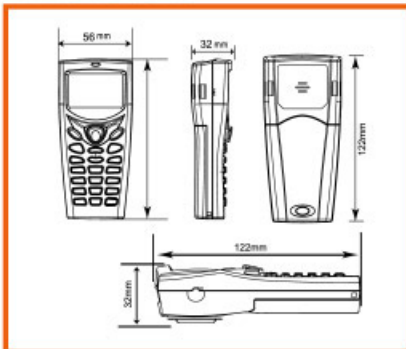
Dimensions

- Size: 122mm (L) x 56mm (W) x 32mm (H)
- Weight: 135g (including batteries)

General Characteristics

- CPU: 16-bit CMOS, low power consumption
- Program memory: 1MB flash memory
- Data memory: 1MB SRAM / 2MB optional
- Display: 100x64 graphic dots FSTN with LED back-lit
- Keyboard: 21 rubber keys back-lit

Dimensions



Long Range CCD

- Resolution: 0.125mm (5mil) ~ 0.50mm (20mil)
- Depth of field: 7cm ~ 26cm
- Scan rate: 100 scans/sec

Laser Scanner

- Light source: Visible Laser diode operating at 650 ± 15nm
- Scan rate: 100 ± 3 scans/sec
- Scan angle: 60° ± nominal
- Depth of field: 4cm ~ 30cm, depends on barcode resolution

Environmental

- Operating Temperature: -20° to 60° C
- Storage Temperature: -30° to 70° C
- Humidity: Non-condensed 5% to 95%
- Shock resistance: 1.2m drops onto concrete
- EMC regulation: FCC class-A, CE and C-Tick approved

Indicator

- Buzzer: Programmable, 1KHz to 4KHz
- LED: Dual-color, green and red

Communication

- Terminal: IrDA, IR
- Through Cradle: RS232, up to 115.2k bps
USB (Virtual Com) option

Programming Language

"C", "BASIC", and a Windows-based Application Generator

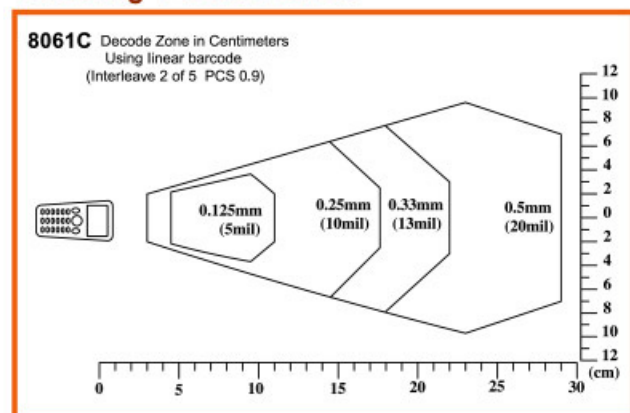
Accessories

- Charging and Communication Cradle-R(Serial)
- Charging and Communication Cradle-U(USB)

Warranty

1 Year

Reading Performance



Charging & Communication Cradle Access Point



IrDA Interface



Pocket Size



• Preliminary Specifications - subject to change without notice.

