

CPT-720

Portable Terminal

Affordable
Versatile
Affordable
Versatile
Affordable
Versatile



Battery Charger
Download Station



Holster

- Big Memory Size for heavy workloads
- Full Alphanumeric Keyboard
- 8MB SMC or 2MB SRAM
- Ideal for warehouse management, freight tracking, fleet management, meter reading applications

CPT-720 Portable Terminal

Power

Operation battery :	Disposable/Rechargeable Ni-MH battery pack
Backup battery :	3.0V, 7.0mAh, rechargeable Lithium
Operating hour:	100 hours (with Alkaline batteries)

Dimensions

Size:	203.6mm(L) x 79mm (W) x 39.6mm (H)
Weight:	330g (including batteries)

General Characteristics

CPU:	16-bit CMOS, low power consumption
Program memory:	1 MB flash memory
Data memory:	2MB SRAM or 8MB Smart-Media Card
Display:	128x64 graphic dots STN with LED back-lit
Keypad:	32 rubber keys

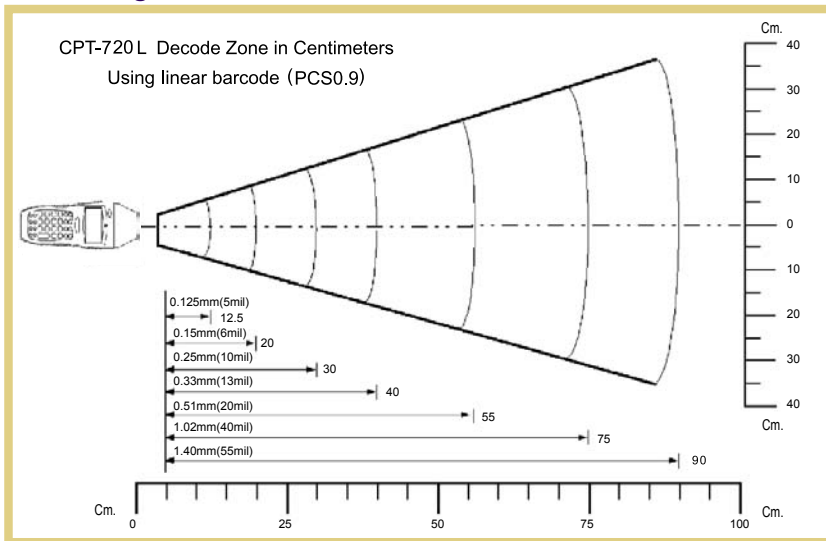
Indicator

Buzzer:	Programmable, 1KHz to 4KHz
LED:	Dual-color, green and red

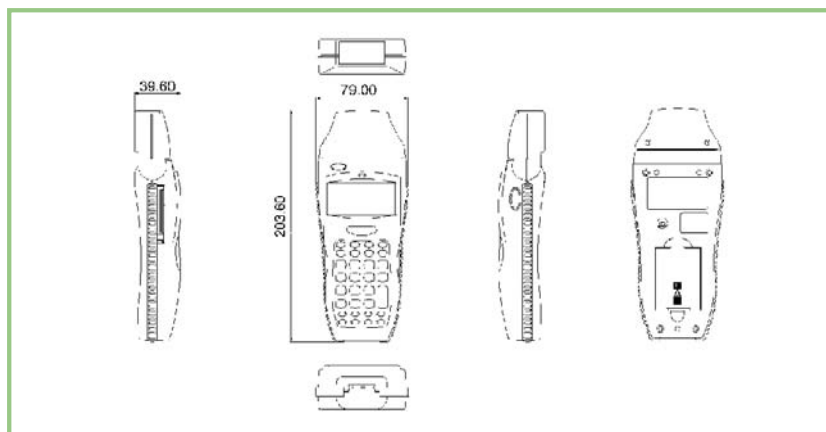
Laser Scanner (720L)

Light source:	Visible Laser diode operating at $670 \pm 15\text{nm}$
Scan rate:	36 ± 3 scans per second
Scan angle:	42° nominal
Depth of field:	5cm ~ 95cm

Reading Performance



Dimensions



Environmental

Operating Temperature:	-20 to 60°
Storage Temperature:	-30 to 70°
Humidity:	non-condensed 5% to 95%
Shock resistance:	1.5m drop onto concrete
EMC regulation:	FCC class-A, CE and C-Tick approved

Communication

RS-232:	Transmission speed up to 115.2k bps
RS-485:	Through cardle, multi-drop up to 32 units
IrDA:	Standard 1.0 compatible, up to 115.2k bps
High speed IR:	Up to 115.2k bps transmission rate
RF:	9.6Kbps, Range 100M

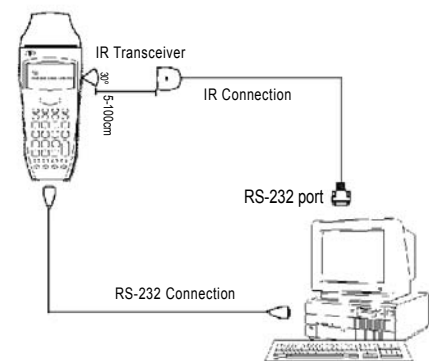
Programming Language

"C", "BASIC", and a Windows-based Application Generator

Accessories

RS-232 cable, Cradle, IR Transceiver, RF base station

RS-232 & IrDA connection



RS-485 connection (up to 32 units)

