



MS6720 is an omnidirectional hand-held and fixed projection scanner. It incorporates a 20-line scan pattern into a comfortable, ergonomic design.

MS6720

Features

- **Combination hand-held and fixed projection scanner**
- **Fully automatic scanning operation**
- **Stationary or adjustable stand available**
- **Superior ergonomics**
- **Concentrated omnidirectional scan pattern**
- **Programmable depth of field**
- **Easy programming using Windows® software or bar codes**

shown with optional stand



Metrologic's MS6720 is the first laser bar code scanner to have bridged the gap between omnidirectional fixed projection and hand-held scanners. It incorporates fixed projection performance and a patented 20-line scan pattern into the comfortable, ergonomic styling of a hand-held. With this design, Metrologic has engineered a scanner that transcends any other on the market today.

The MS6720 utilizes a unique, patented infrared sensor and control scheme for hands-free projection scanning and fatigue reduced hand-held operation. Whether operators choose to present small items to the scanner or transport the lightweight scanner to bulkier items, the MS6720 is

the perfect choice for a large variety applications. The MS6720 scanner is available with either a stationary or adjustable stand. The stationary stand is ideal for applications where the MS6720 is being used mostly as a hand-held scanner. This stand was designed for ease of use while still providing sufficient room for fixed presentation. The adjustable stand provides 7 rotational and 9 tilting positions as well as a removable wall mount cup.

The MS6720 features both short-range and long-range activation, user-friendly programming, reliability and versatility. Operators are sure to appreciate the convenience and flexibility of the MS6720.



MS6720

OPERATIONAL

Light Source	Visible Laser Diode 650 nm \pm 10 nm
Laser Power	0.681 mW (peak)
Depth of Scan Field (programmable)	0 mm - 203 mm (0" - 8") for 0.33 mm (13 mil) bar code at default setting
Width of Scan Field	50.8 mm (2") @ face; 178 mm (7") @ 203 mm (8")
Scan Speed	1000 scan lines per second
Scan Pattern	5 fields of 4 parallel lines (omnidirectional)
Number of Scan Lines	20
Minimum Bar Width	0.145 mm (5.7 mil)
Decode Capability	Autodiscriminates all standard bar codes, including RSS; for other symbologies call Metrologic
System Interfaces	PC Keyboard Wedge, RS232, OCIA, Light Pen Emulation, IBM 468x/469x, USB (low speed and full speed), Stand Alone Keyboard
Print Contrast	35% minimum reflectance difference
Number Characters Read	Up to 80 data characters
Roll, Pitch, Yaw	360°, 60°, 60°
Beeper Operation	3 tones or no beep
Indicators (LED)	Red = laser on, ready to scan Green = good read

MECHANICAL

Height	219 mm (8.6")
Depth-Handle	28 mm (1.1")
Depth-Head	75 mm (2.9")
Width-Handle	48 mm (1.9")
Width-Head	77 mm (3.0")
Footprint On Stand	100 mm x 135 mm (3.9" x 5.3")
Weight	380 g (13.4 oz)
Termination	10 pin modular, RJ45 connector
Cable	Standard 2.1 m (7') straight; optional 2.7 m (9') coiled; for other cables call Metrologic

ELECTRICAL

Input Voltage	5 VDC \pm 0.25 V
Power	1.1 W @ 5V
Operating Current	220 mA @ 5V
DC Transformers	Class 2; 5 VDC @ 300 mA
Laser Class	IEC 60825-1:1993+A1:1997+A2:2001 Class 1
EMC	FCC, ICES-003 & EN55022 Class B

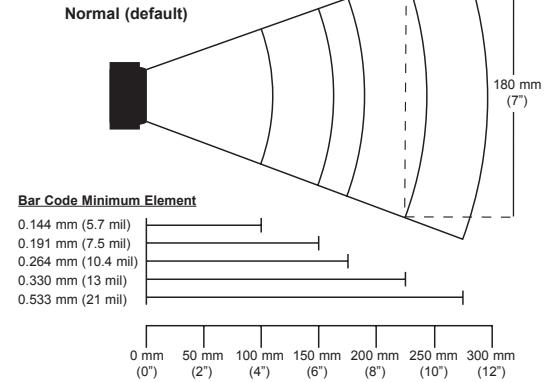
ENVIRONMENTAL

Operating Temperature	0°C to 40°C (32°F to 104°F)
Storage Temperature	-40°C to 60°C (-40°F to 140°F)
Humidity	5% to 95% relative humidity, non-condensing
Light Levels	Up to 4842 Lux (450 footcandles)
Shock	Designed to withstand 1 m (3.1') drops
Contaminants	Sealed to resist airborne particulate contaminants
Ventilation	None required

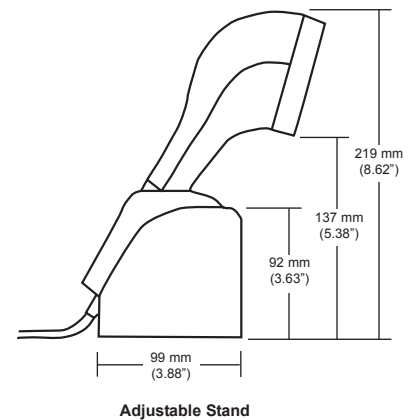
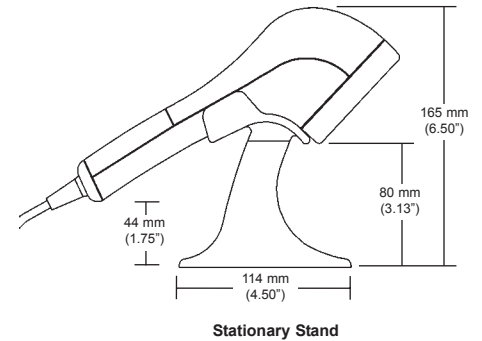
MS6720 is available in the following colors



Scan Area



Dimensions



Specifications subject to change without notice.
Printed U.S.A., Copyright January 2003
Metrologic, All rights reserved.



DS6720

