



MS7620
(high-impact plastic
top plate)



MS7625
(stainless steel
top plate)



MS7600 Series Horizon® is Metrologic's next generation in-counter laser bar code scanner. This compact, hands-free scanner is designed with a dense 20-line omnidirectional scan pattern that helps provide fast, efficient throughput with a high first-pass read rate.

Sunrise 2005 Compliant

MS7600 Series **Horizon®**

Features

- Decodes RSS-14, RSS Limited and RSS Expanded bar codes
- Automatic scanning operation
- Durable die-cast construction
- Firmware updates via Flash ROM
- EAS deactivation antenna is standard
- Supports commonly used interfaces including USB and Keyboard Wedge
- Custom edit the bar code data
- User-replaceable, single cable interface to host
- RS232 auxiliary port for adding peripherals
- OPOS and JPOS system compatible
- Field replaceable window
- Programmable depth of field
- Available with either a stainless steel (MS7625) or a high-impact plastic (MS7620) top plate

Metrologic's MS7600 Series

Horizon is Metrologic's next generation in-counter laser bar code scanner. This compact, hands-free scanner is designed with a dense 20-line omnidirectional scan pattern that helps provide fast, efficient throughput with a high first-pass read rate.

Each Horizon is equipped with an integrated EAS deactivation antenna. The EAS security tag, designed to reduce shrink, is deactivated and the bar code is scanned with a single pass. These simultaneous operations help improve operator comfort and increase throughput. To further enhance operator efficiency and productivity, Horizon is equipped with IR laser activation. This allows the user to "wake" the unit from a power

save or sleep mode and read a bar code instantaneously, without any delay.

Each Horizon includes an RS232 auxiliary port that allows for hand held bar code scanners to be connected providing easy scanning of bulky, oversized objects. Other peripherals such as check readers or magnetic stripe readers can also utilize the flexibility of the auxiliary port. The Horizon also offers multiple interfaces and data editing making it compatible with almost every POS system on the market today.

The combination of performance, ruggedness, and a myriad of features make the Horizon an ideal choice for grocery, supermarket, retail, coupon redemption, and a multitude of other applications.

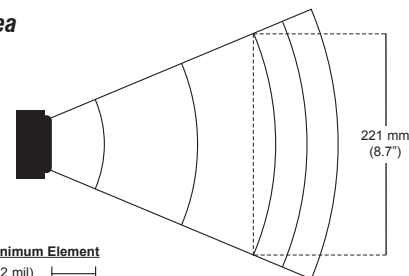


MS7600 Series **Horizon**[®]

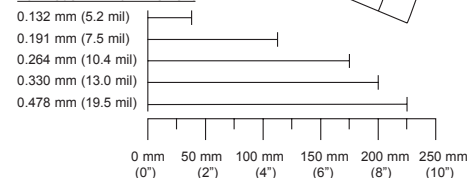
OPERATIONAL

Light Source	Visible Laser Diode 650 nm \pm 10 nm
Laser Power	1.1 mW (peak)
Depth of Scan Field	0 mm - 203 mm (0" - 8.0") for 0.33 mm (13 mil) bar code
Width of Scan Field	137 mm (5.4") @ 40 mm (1.6") ; 221 mm (8.7") @ 178 mm (7.0")
Scan Speed	2000 scan lines per second
Scan Pattern	5 fields of 4 parallel lines (omnidirectional)
Number of Scan Lines	20
Minimum Bar Width	0.127 mm (5.0 mil)
Decode Capability	Autodiscriminates all standard bar codes; for other symbologies call Metrologic
System Interfaces	PC Keyboard Wedge, RS232, OCIA, Light Pen Emulation, IBM 468x/469x, Stand Alone PC Keyboard, USB (low speed and full speed)
Print Contrast	35% minimum reflectance difference
Number Characters Read	Up to 80 data characters
Roll, Pitch, Yaw	360°, 60°, 60°
Beeper Operation	7 tones or no beep
Indicators (LED)	Amber = laser on, ready to scan; Red = good read, decoding

Scan Area



Bar Code Minimum Element



MECHANICAL

Dimensions	193 mm H x 88 mm D x 229 mm W (7.6" H x 3.5" D x 9.0" W)
Weight	2.88 kg (6.35 lbs)
Termination	Three 10-pin modular RJ45
Cable	Standard 2.1 m (7') straight; for other cables call Metrologic

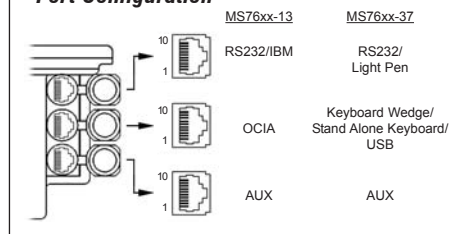
ELECTRICAL

Input Voltage	5.2 VDC \pm 0.25 V
Power	2.6 W
Operating Current	500 mA
DC Transformers	Class II; 5.2 VDC @ 1 A
Laser Class	IEC 60825-1:1993 + A1:1997 + A2:2001 Class 1
EMC	FCC, ICES-003 & EN55022 Class A

ENVIRONMENTAL

Operating Temperature	0°C to 40°C (32°F to 104°F)
Storage Temperature	-40°C to 60°C (-40°F to 140°F)
Humidity	5% to 95% relative humidity, non-condensing
Light Levels	Up to 4842 Lux (450 footcandles)
Contaminants	Sealed to resist airborne particulate contaminants
Ventilation	None required

Port Configuration



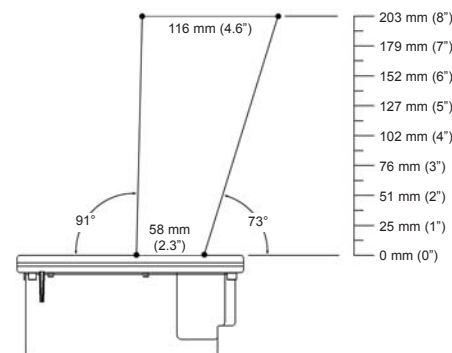
ISO 9001:2000

USB[®]
UNIVERSAL SERIAL BUS

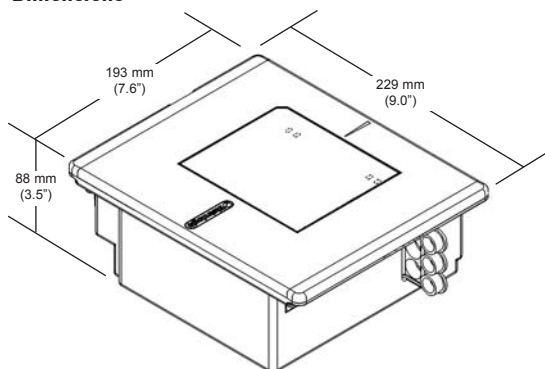
Horizon top plates are available in the following



Scan Volume



Dimensions



Specifications subject to change without notice.
Printed U.S.A., Copyright September 2003
Metrologic, All rights reserved.



DS7620