

Javelin® J310 *Local color card printer*

Javelin

Fast, multi-purpose printer with a host of attractive features

For both instant card issuance and the personalization of large card batches, the Javelin J310 printer offers fast and attractive card personalization making it ideal for a wide range of identification purposes—from access control passes, visitor cards, and badges to membership and promotion cards.

The 300 dpi resolution ensures exceptionally sharp print quality. Cards take around 25 seconds to print in full color or around four seconds to print in monochrome. And edge-to-edge printing is standard.

The useful LCD panel assists the operator by clearly describing the current status of the printer. It even provides a reminder when routine cleaning needs to be done.

Offering unparalleled print quality, Javelin printers are the fast, cost-effective solution for all identification needs—from magnetic stripe to contact and contactless smart card encoding.

The compact and fast Javelin J310:

- personalizes high-quality, edge-to-edge, full-color cards—up to 144 full-color cards per hour or up to 900 single-sided monochrome color cards per hour
- is flexible enough to meet your specific requirements—with magnetic stripe, contact, and contactless smart card encoding options and a wide range of available color ribbons
- has a user friendly LCD panel that displays machine status
- is perfect for instant issuance or batch production—with a large input hopper option also available

**...ideal for a wide
range of identification
purposes...**



Javelin® J310 *Technical details*

FEATURES:

- Fast color printing: around 25 seconds/card (single-sided)
- Edge-to-edge printing
- Easy-to-load ribbon
- Simple card thickness adjustment
- Auto-synchronization of ribbon
- Automatic cleaning
- Covered input hopper with integrated card weight & easy single card feed
- Large output hopper

GENERAL SPECIFICATIONS:

- Colour dye sublimation or monochrome thermal transfer printing
- 300 dpi (11.8 dots/mm) print resolution
- 2 MB image memory standard
- LCD to show printer status
- Card input cartridge capacity: up to 210 cards (10 mil); up to 75 cards (30 mil)
- Card output hopper capacity: up to 210 cards (10 mil); up to 75 cards (30 mil)
- Windows® drivers for 95, 98, 2000, ME, XP, & NT 4.0
- Up to 3 years printer warranty
- Up to 2 years (unlimited passes) print-head warranty

OPTIONS:

- RS 232 serial port
- USB connector
- Smart card encoding
- Contactless (Mifare) card encoding
- Dual coercivity magnetic stripe encoding (top or bottom side)
- Large card stacker (replaces input hopper)

CARD SPECIFICATIONS:

- Types: PVC & composite PVC
- Card width/length: ISO 7810 (CR-80) 2.125" (54 mm) x 3.375" (86 mm)
- Card thickness: 10 mil (0.25 mm) to 60 mil (1.52 mm)

PHYSICAL DIMENSIONS:

Depth: 386 mm (excluding hopper)
Width: 200 mm
Height: 240 mm
Weight: 6.1 kg

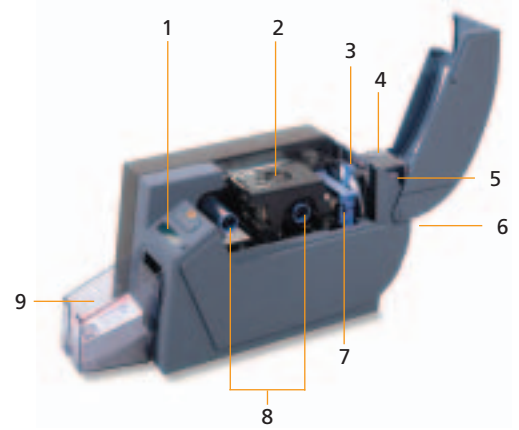
ELECTRICAL:

- Power requirements: 110-230 Volts, 50-60 Hz
- FCC Class A, CE, UL, & CUL approved

ENVIRONMENTAL:

- Operating temperature: 15°C to 30°C
- Relative humidity: 20% to 65% non-condensing
- Storage temperature: -5°C to 70°C
- Storage humidity: 20% to 70% non-condensing
- Ventilation: Free air

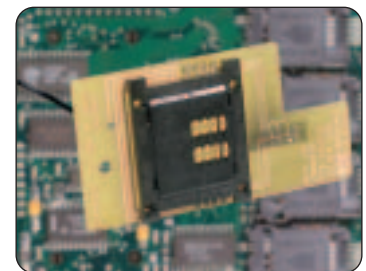
All specifications subject to change without notice



1. LCD display panel
2. User replaceable printhead
3. Simple card thickness adjuster
4. Covered input hopper
5. Integrated card weight
6. Easy single card feed
7. Automatic cleaning
8. Easy to load ribbon
9. Large output hopper



LCD display panel



Integrated contact and contactless smart card encoding kit



NBS—the leader in card personalization solutions

Founded in 1974, NBS Technologies is a leader in card personalization solutions. When you buy from NBS, count on getting the most personalized and valuable solution possible. Our team has the answer— whatever your unique card personalization needs.

Designed and built to ISO 9001 certification standards

Always use TrueColours™ certified media from NBS Technologies

